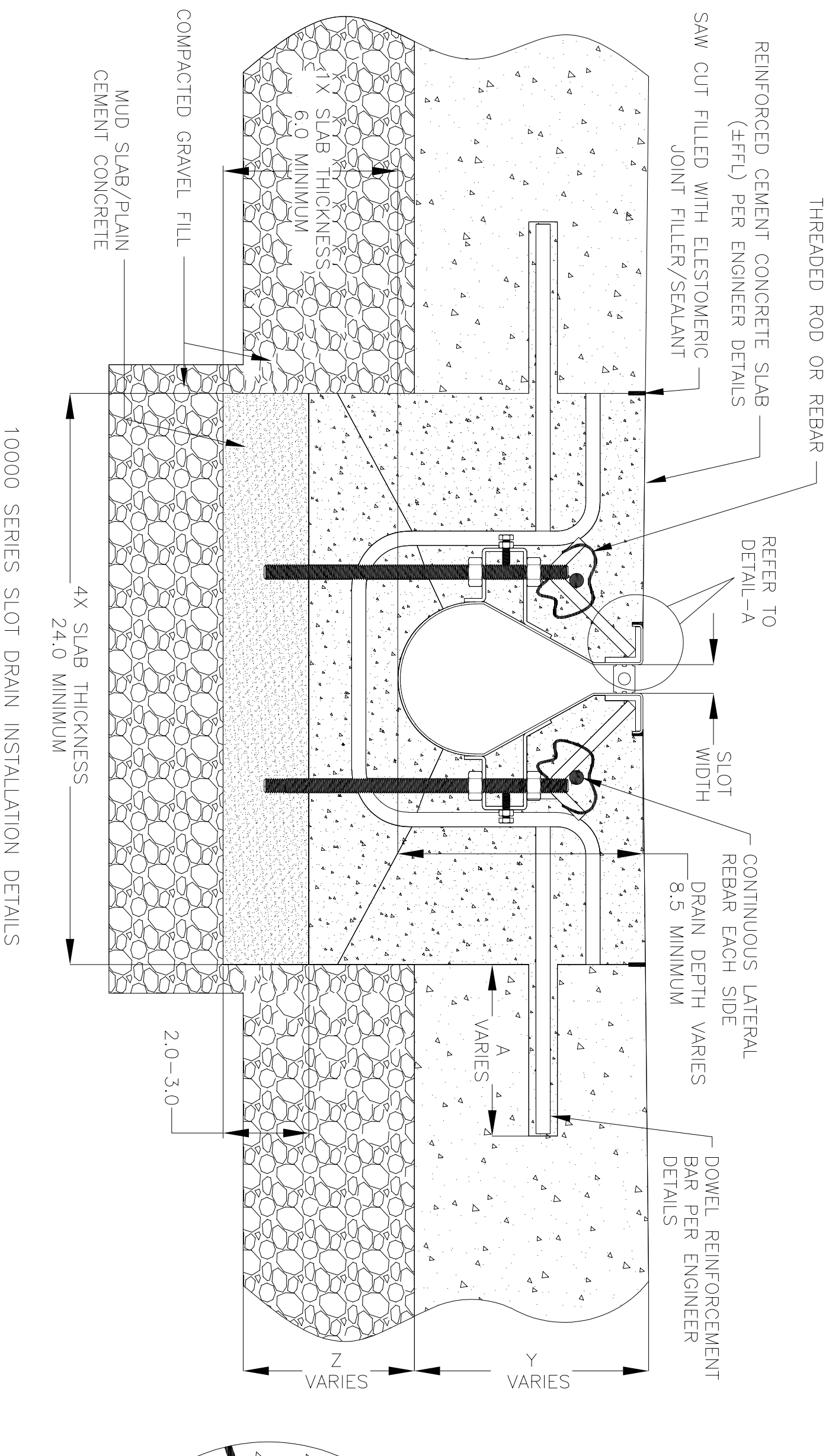


NOTES: UNLESS OTHERWISE SPECIFIED

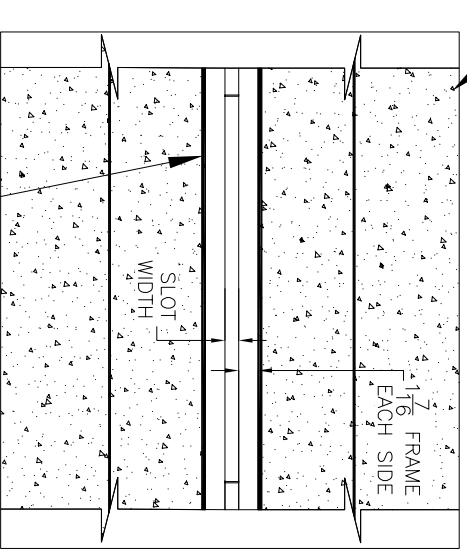
- 1. ALL DIMENSIONS ARE IN INCHES.
- 2. DRAIN BODY MATERIAL: 14GA STAINLESS STEEL T304/T316
- 3. SPECIFYING ENGINEER IS RESPONSIBLE FOR CONCRETE ENGAGEMENT AND REINFORCING BASED UPON APPLICATION AND LOCAL CODES.
- 4. REFER TO <https://info.slotdrainsystems.com/installresources> FOR INSTALLATION INSTRUCTIONS.



REINFORCED CEMENT CONCRETE SLAB (FFFL) PER ENGINEER DETAILS

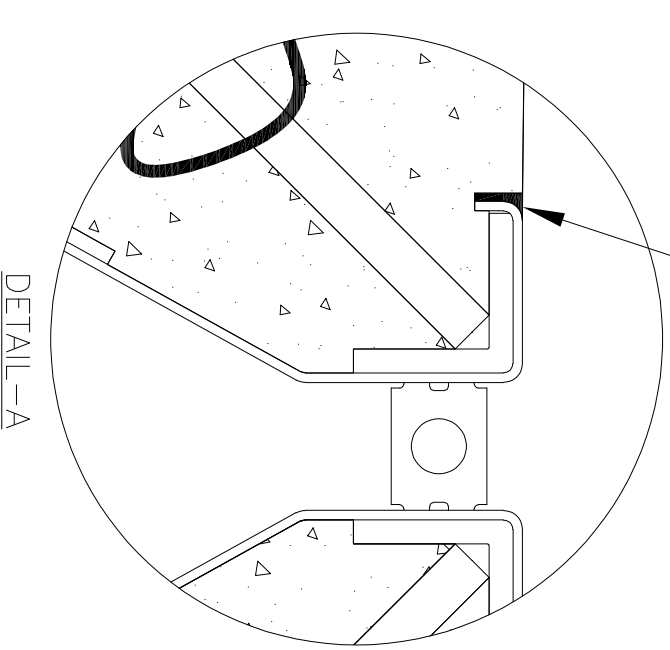
REVISIONS

REV	DESCRIPTION	DATE	BY
0	INITIAL RELEASE - RO	12/2/2019	DK
1	UPDATED DRAIN LAYOUT WITH REBAR	12/2/2020	DK
2	UPDATED WITH GLOBAL DRAIN TEMPLATE	3/19/2024	DK



PLAN VIEW

SEALANT BETWEEN FFL AND DRAIN TOP



DETAIL-A

10000 SERIES SLOT DRAIN INSTALLATION DETAILS



DRAWING TITLE  
CONCRETE FLOOR-RETROFIT INSTALLATION

DRAIN SERIES		REV.
10000 SERIES SLOT DRAIN		2

DWG NO.	SIZE	SCALE	SHEET
IN-SD10000-101-R2	B	NTS	1 OF 1

ALL DRAWINGS ARE THE EXCLUSIVE PROPERTY OF SLOT DRAIN SYSTEMS. ANY REPRODUCTION IN PART OR IN WHOLE IS PROHIBITED WITHOUT PROPER CONSENT.